



palmer canvas

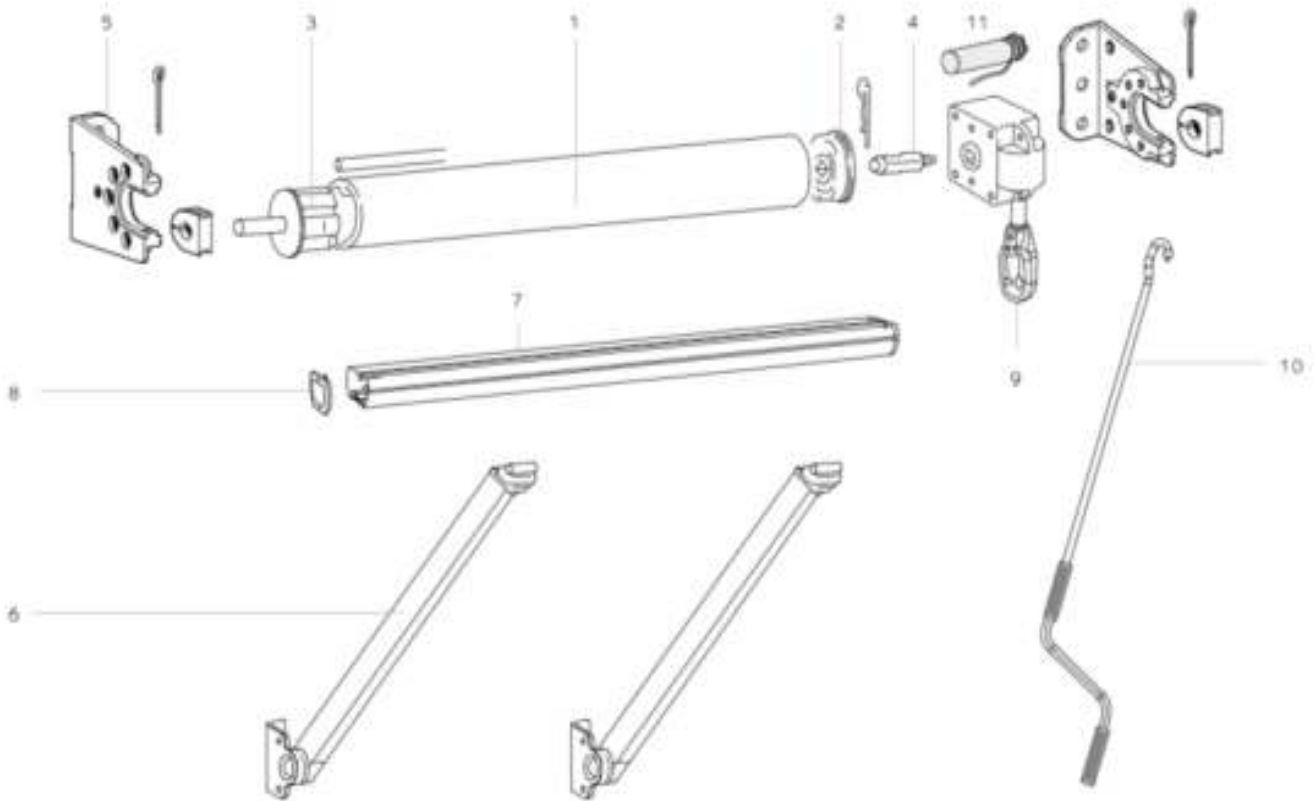
WINDOW AWNING





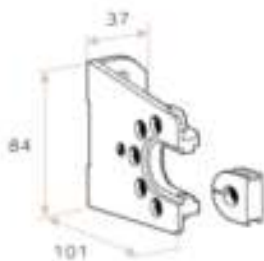
palmer canvas

WINDOW AWNING

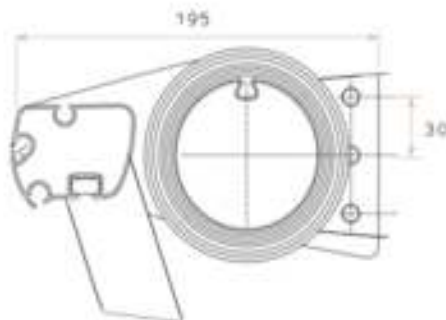


- 1 78mm aluminium roller tube 2 Drive bearing - cast aluminium 3 Idle end 4 Square shaft - stainless steel
- 5 Mounting brackets - cast aluminium 6 Spring loaded arm 7 Fall bar - extruded aluminium 8 Fall bar endcap
- 9 Gearbox (7:1 or 13:1) 10 Crank handle 11 Motor - automation

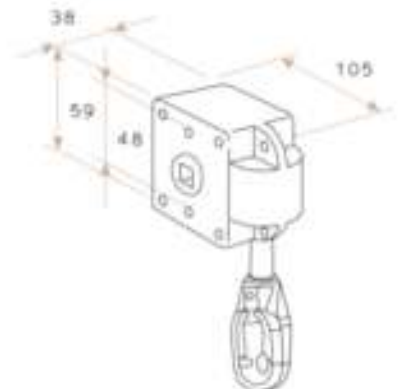
MOUNTING BRACKET
FACE FIX (mm)



PROFILE VIEW (MM)



GEARBOX 7:1 (mm)





palmer canvas

WINDOW AWNING



WIDTH X EXTENSION (2x Arms)

MIN – 500 x 750 mm


MAX – 5850 x 1500 mm

OPERATION

Manual or automated

HARDWARE COLOURS

Warm White Pearl 

Silver Pearl 

FABRIC

Decrit (acrylic canvas) – 132 colours

Shadeview Mesh – 25 colours

AUTOMATION OPTIONS

Sun & wind sensor

Motion sensor