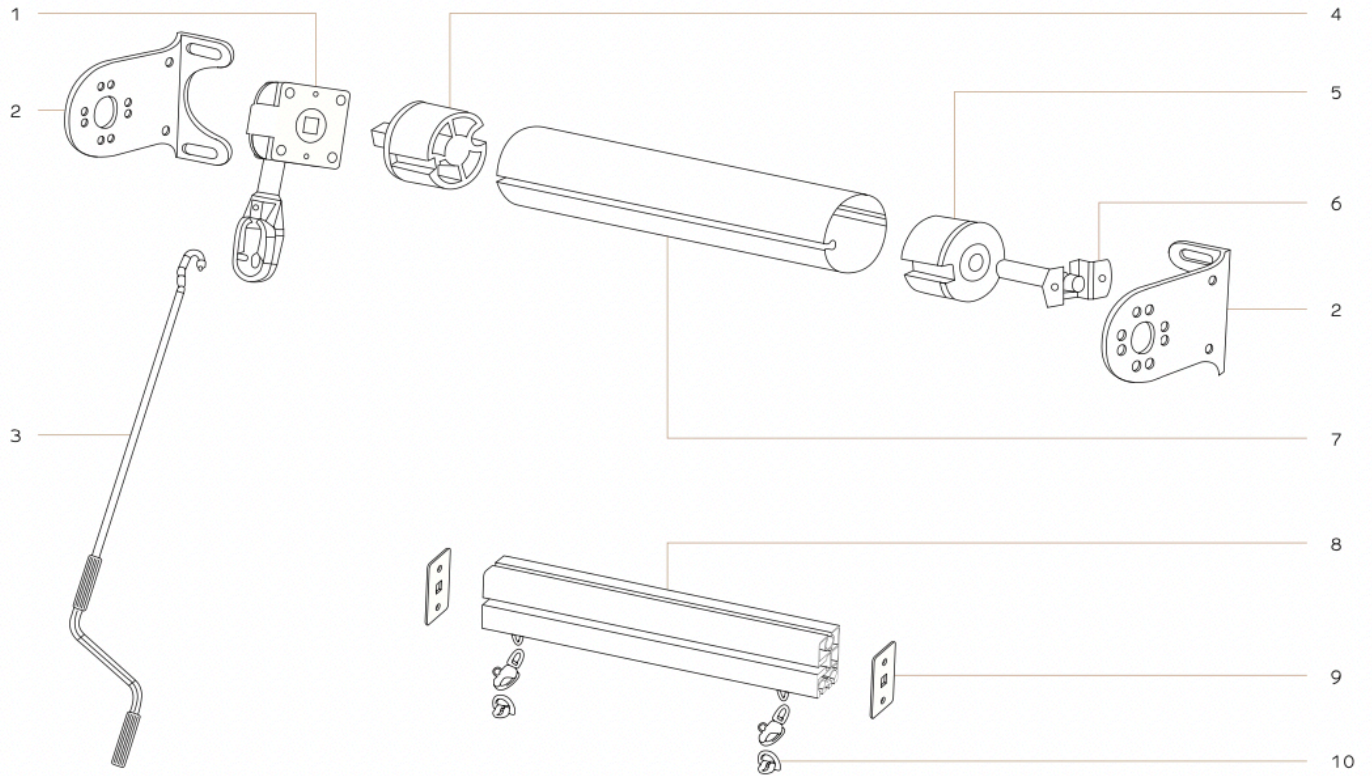


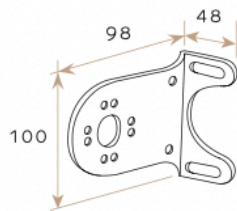
# Omni Lite

1.

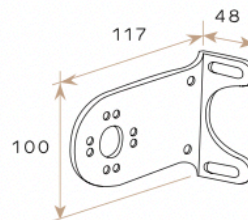


- 1 Gearbox   2 Mounting bracket   3 Crank handle   4 Drive end   5 Idler end   6 Pivot pin & plate
- 7 Keyway tube   8 Bottom rail   9 End Cap   10 S/S anchor clips

MOUNTING BRACKET 65mm



MOUNTING BRACKET 80mm



GEARBOX 7:1 (mm)

