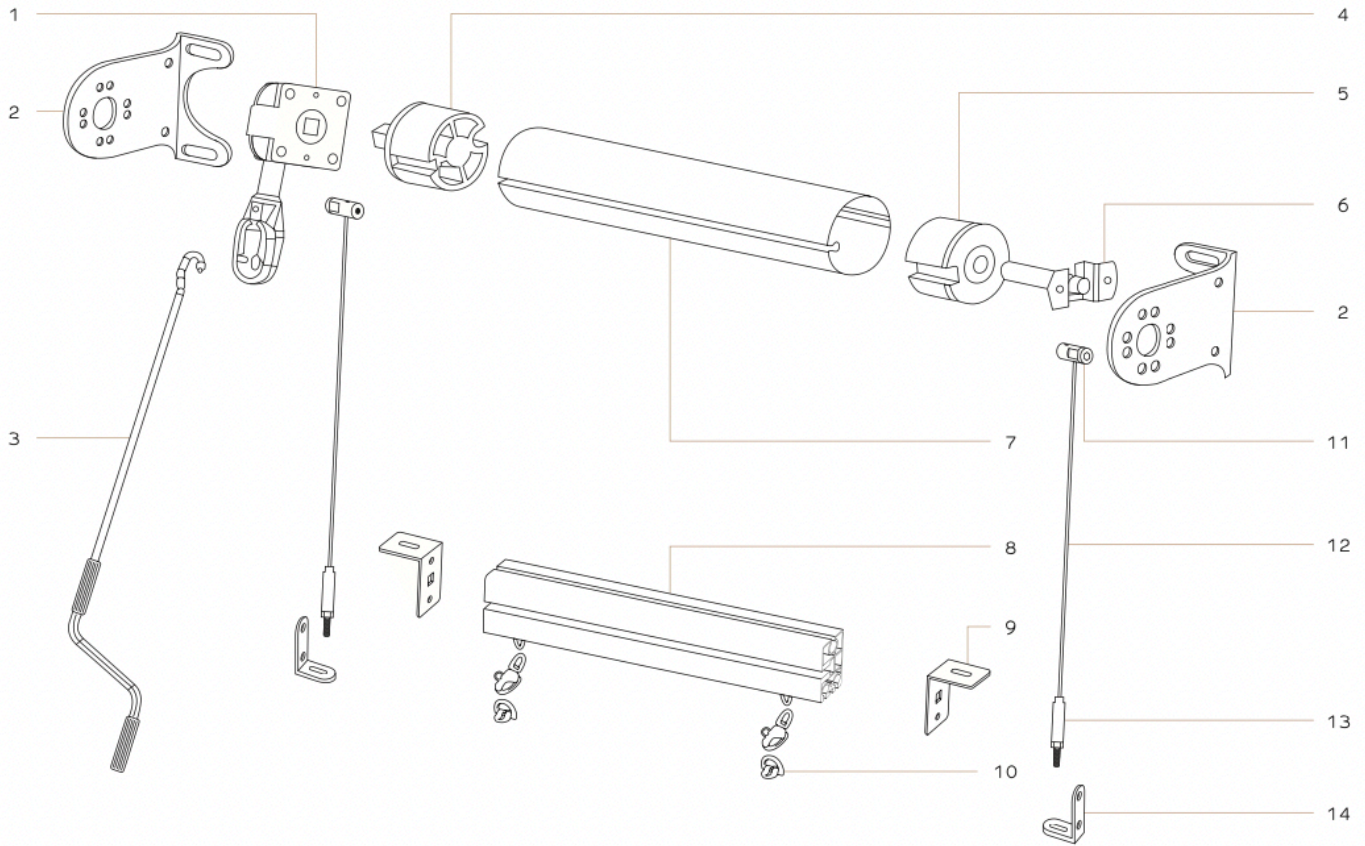
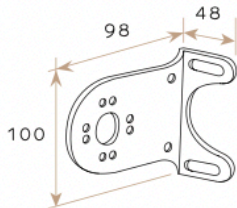


Omni Guide

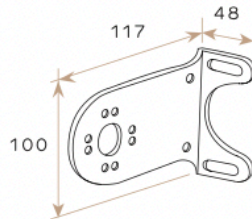


- 1 Gearbox 2 Mounting bracket 3 Crank handle 4 Drive end 5 Idler end 6 Pivot pin & plate 7 Keyway tube
- 8 Bottom rail 9 End Caps 10 S/S anchor clips 11 Top Bush 12 3.2mm Wire 13 Tension Bush 14 L Bracket

MOUNTING BRACKET 65mm



MOUNTING BRACKET 80mm



GEARBOX 7:1 (mm)

