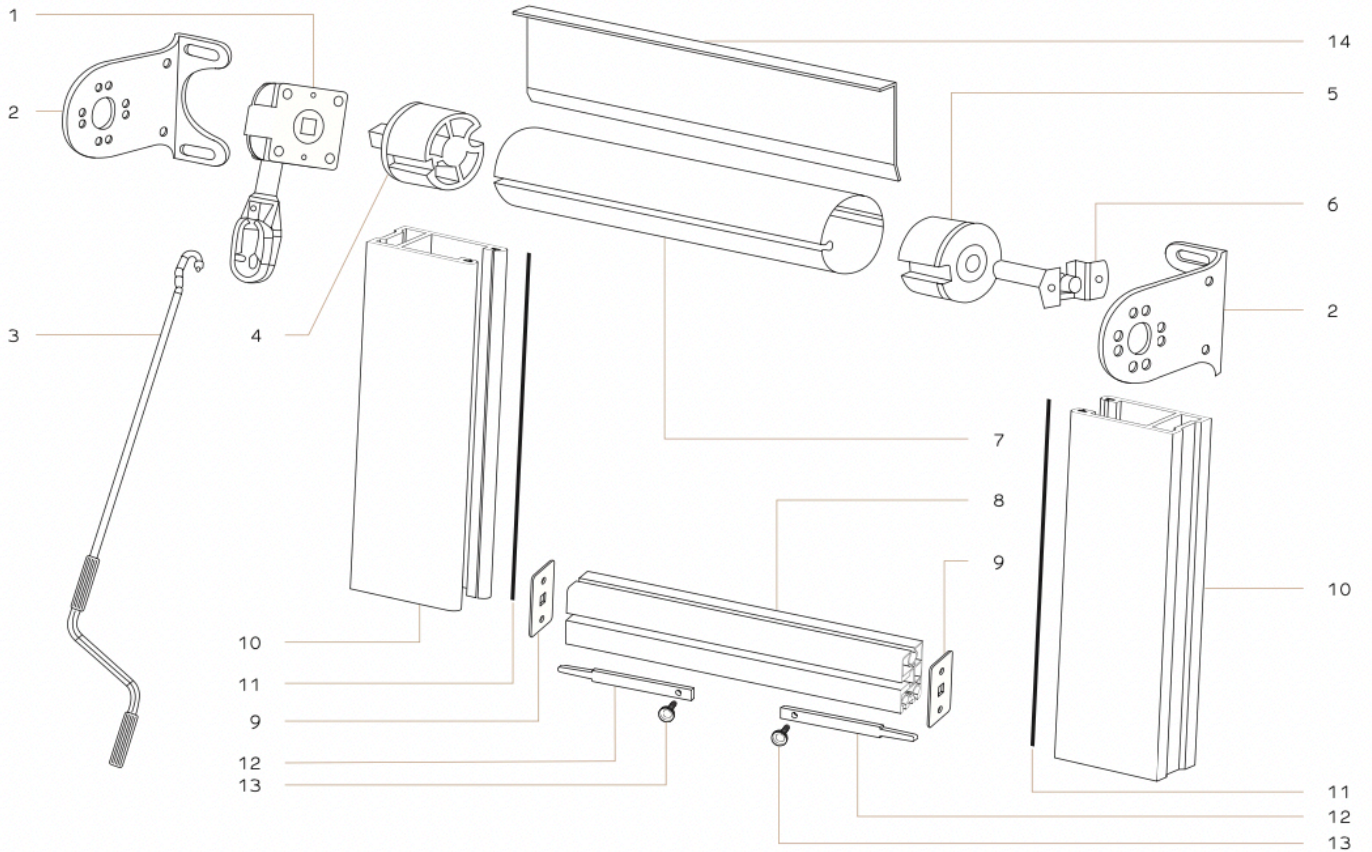


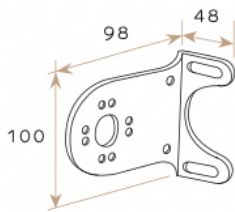
# Omni Channel

1.

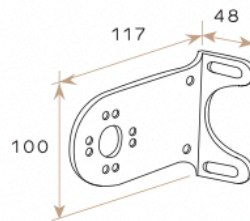


- 1 Gearbox 2 S/S Mounting bracket 3 Crank handle 4 Drive end 5 Idler end 6 Pivot pin & plate 7 Roller tube
- 8 Bottom rail 9 End Cap 10 Side Channel 11 Brush Insert 12 Slide Lock 13 Thumb Screw 14 Flashing (Optional)

MOUNTING BRACKET 65mm



MOUNTING BRACKET 80mm



GEARBOX 7:1 (mm)

